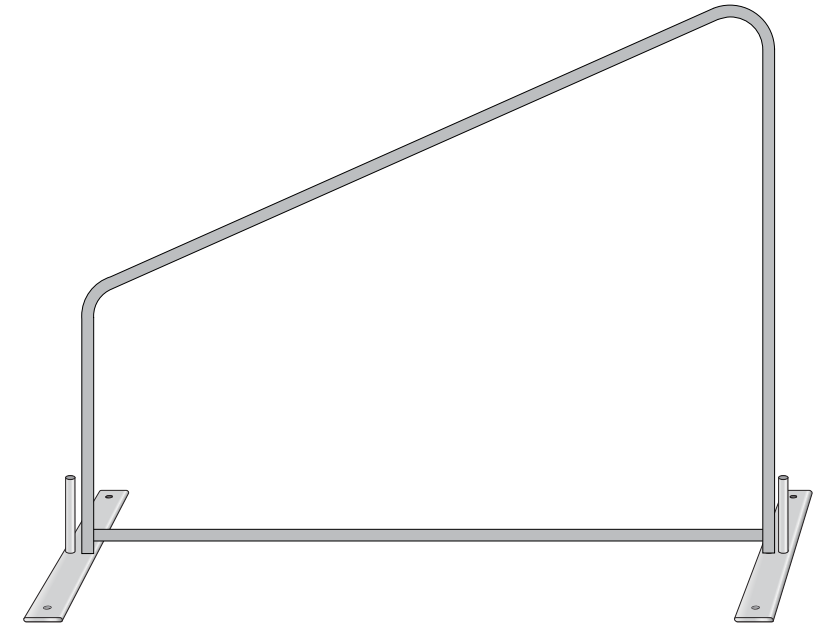




**DESIGN/LAYOUT TEMPLATE
MODEL H-6**

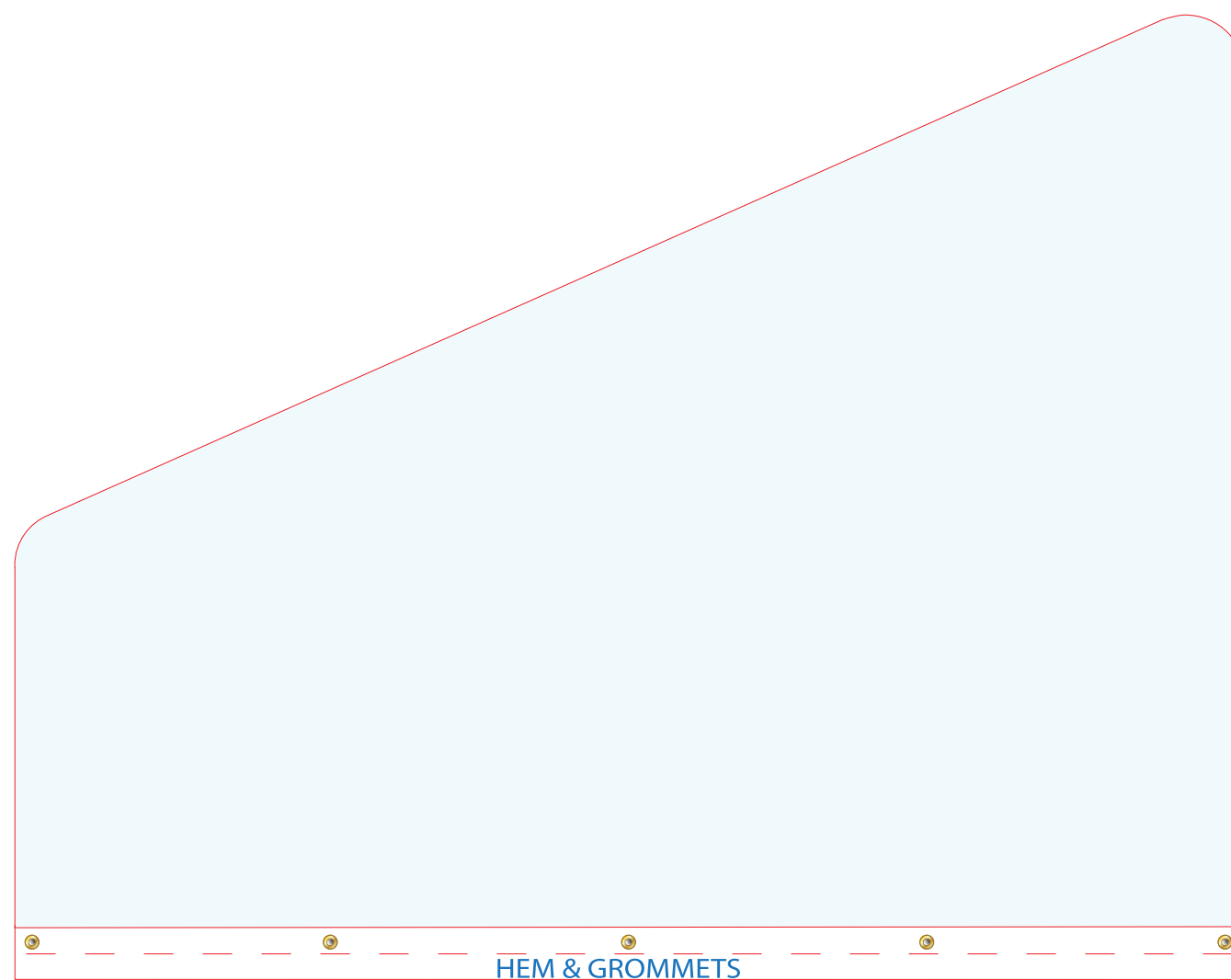
72" x 57" Double-Sided - Horizontal AD-CADE

AD-CADE®



SCALE : 10% of FULL SIZE

TEMPLATE >



LIVE ART AREA IN BLUE

NOTE:

Files sent for printing should preferably be in one of the following formats:

PDF FILES: Adobe Acrobat .pdf Files

VECTOR FORMAT: TYPE & LINE ART

Files such as - Adobe Illustrator .eps or .ai (remember to convert all fonts to outlines and embed all linked images)

RASTER FORMAT: PHOTOS & ILLUSTRATIONS Files such as - Adobe Photoshop .tif and .jpg files
(Resolution of at least 100 ppi/dpi at 100% at full size)

These files may be scaled to a smaller image size, but must convert to at least 100 ppi/dpi at full size for optimum printing results.

Example: If an image is to be printed at 96" x 48" your file could be 24 x 12 at 400 ppi/dpi That will convert to 100 ppi/dpi at full size.

Please feel free to call if you have any questions or need more information:
Hank Allgeier • Graphic Services • 502-452-2561